

Technical data

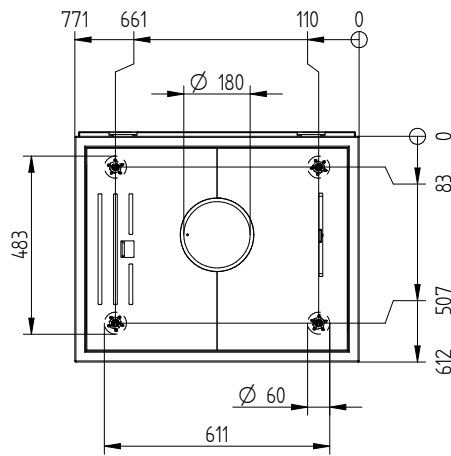
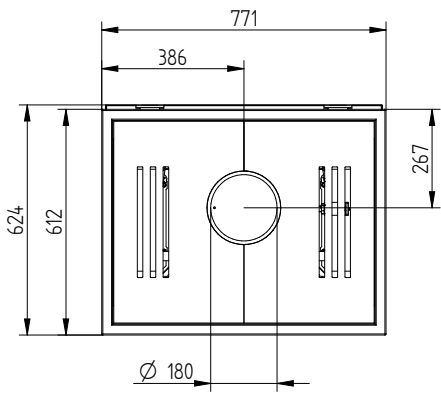
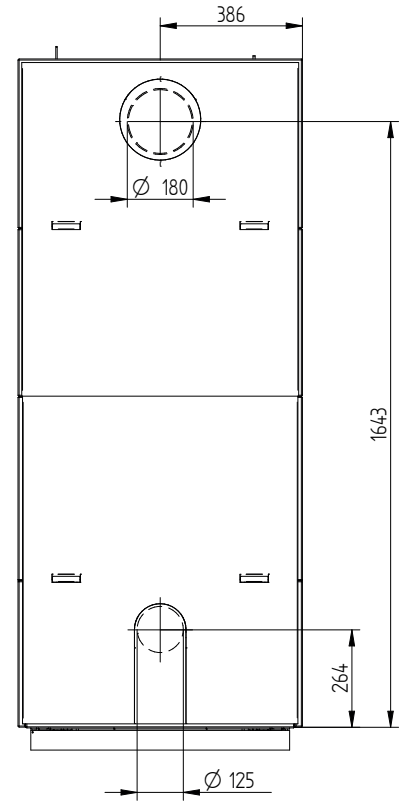
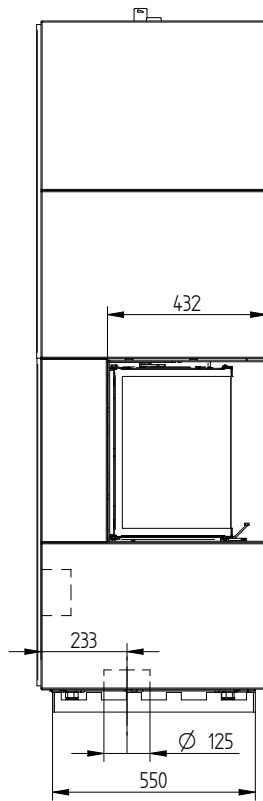
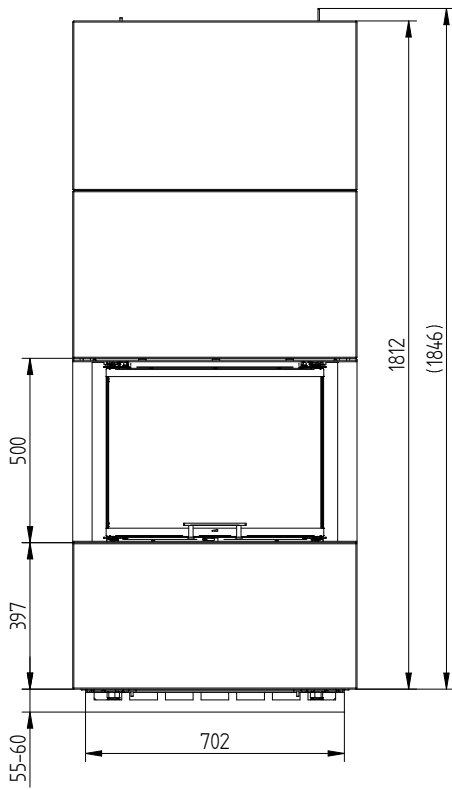
	Certified values fireplace insert	Measured values for accumulation operation	Measured values for convection operation
Energy label of the fireplace insert	A+ UKA 35/60/35/50		
Operating data			
Nominal heat power	7 kW	----	8 kW
Efficiency	> 80 %	> 80 %	> 80 %
Consumption of wood	2,2 kg/h	7 kg (3,5 + 3,5 kg)	2,5 kg/h
Total heat output of the burning chamber ¹	----	28 kW	----
Average heat output ²	----	5,6 kW	----
Heat radiation period ³	----	5 hours	----
Mass flow of flue gas	7 g/s	12 g/s	8 g/s
Required chimney pressure	12 Pa	12 Pa	12 Pa
Required amount of combustion air	20 m ³ /h	30 m ³ /h	25 m ³ /h
Average flue gas temperature on the output	270 °C	219 °C	253 °C
Heat distribution			
Surroundings and convection	56 %	56 %	56 %
door glass (single, double)	44 / - %	44 / - %	44 / - %
General technical information			
Tested according to	EN 13229	----	----
Meets values	1. BImSchV (Stufe2), 15a BVG	----	----
Total weight	----	538 kg	508 kg
Overall dimensions (width x depth x height)	----	771 x 612 x 1872 mm	
Burning chamber dimensions (width x depth)	----	390 x 205 mm	
Combustion air connection	----	from the back / bottom Ø 125 mm	
Flue connection diameter	----	from the back / top Ø 180 mm	
Minimal distances			
from walls made of non-combustible materials			
rear	----	20 mm	
rear with outer thermal shielding	----	0 mm	
to the ceiling	----	400 mm	
to the floor	----	0 mm	
from walls made of combustible materials			
rear	----	50 mm	
rear with outer thermal shielding	----	10 mm	
to the ceiling	----	600 mm	
to the floor	----	0 mm	
Technical data of the surroundings material			
Thermal resistance	----	up to 150 °C	
Thermal conductivity (100 °C)	----	1,374 W/mK	
Specific heat (100 °C)	----	0,247 Cal/g°C	
Volume heat capacity	----	1486 kJ/m ³ K	
Density	----	1490 - 1610 g/dm ³	
Bending strength	----	3,5 - 4,2 MPa	
Compression strength	----	11,0 - 14,0 MPa	
Shrinkage	----	0,088 %	

1 With maximum amount of wood of 4 kWh/kg, without taking efficiency losses into account.

2 Accumulation operation, specified fuel dose for accumulation period with system efficiency > 80 %.

3 The time from ignition to reaching 25% of the maximum average surface temperature compared to room temperature.

BLOX U77



Concrete enclosure surface

BLOX accumulation stoves are supplied with raw concrete cladding, which is intended for further processing. Raw concrete can show signs of irregular coloring, texture, or stains. These irregularities arise during production and work with raw material and cannot be influenced in any way. Following pictures are showing some possible deviations, which can occur:



If it is desired to achieve a uniform concrete appearance of the stove, it is necessary to paint the stove to give the surface a compact and complete appearance. For these purposes, we recommend HOXTER concrete paint.

The result before/after using HOXTER concrete paint:



Before



After