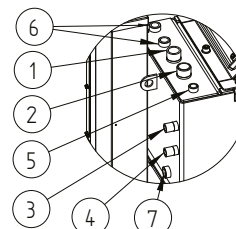
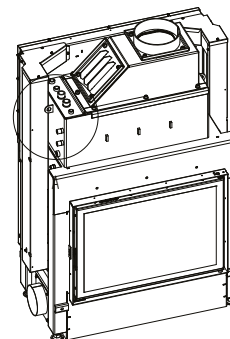


## Technical data

	operation when directly connected to chimney	
	HAKA 78/57WT(h)	HAKA 78/57WT(h)+
Energy label	<b>A+</b>	<b>A+</b>
<b>Operating data</b>		
Nominal heat power / Power absorbed to water	13,5 / 6 kW	21 / 7,5 kW
Efficiency	> 80 %	> 80 %
Consumption of wood	4 kg/h	6,1 kg/h
Mass flow of flue gas	17 g/s	21 g/s
Required chimney pressure	12 Pa	12 Pa
Required amount of combustion air	35 m <sup>3</sup> /h	55 m <sup>3</sup> /h
<b>Average flue gas temperature</b>		
on the output	194 °C	226 °C
<b>Heat distribution</b>		
fireplace insert	20 %	24 %
door glass (single / double)	0 / 35 %	0 / 40 %
water	45 %	36 %
<b>Water exchanger specifications</b>		
Maximum working pressure	2,5 bar	2,5 bar
Minimum return water temperature	60 °C	60 °C
Water capacity	45 liters	45 liters
Connection input / output	1" / 1"	1" / 1"
<b>Information for builds</b>		
Minimal grill area supply / outgoing (with vent. grill)	350 / 400 cm <sup>2</sup>	600 / 700 cm <sup>2</sup>
Minimum radiant area <sup>3</sup> (without vent. grill)	suitable	suitable
Minimum distance from insulated areas / floor	40 / 0 mm	40 / 0 mm
Reference insulation <sup>1</sup> ceiling / back wall / side wall / floor	100 / - / 60 / 0 mm	120 / - / 80 / 0 mm
Calciumsilicate insulation <sup>2</sup> ceiling / back wall / side wall / floor	75 / 0 / 45 / 0 mm	90 / - / 60 / 0 mm
<b>General technical information</b>		
Total weight / lining weight	circa 410 / 94 kg	circa 410 / 94 kg
Burning chamber dimensions (width x depth)	705 x 305 mm	
Combustion air connection	Ø 125 mm	Ø 150 mm
Use in non-ventilated accumulation builds according to craft rules	suitable <sup>4</sup>	
Tested according to	EN 13229	
Meets values	1. BImSchV (Stufe2), 15a BVG	

Nr.	Thread size	Description
1	G 1" (AG)	Water supply from heating system - min. 60 °C
2	G 1" (AG)	Hot water supply to heating system
3	G 1/2" (AG)	Water supply from the waterlines into the cooling loop
4	G 1/2" (AG)	Discharge of water from the cooling loop into the waste
5	G 3/8" (IG)	Pocket for air vent valve
6	G 1/2" (IG)	Pocket for thermal sensors
7	G 1/2" (IG)	Pocket for emptying

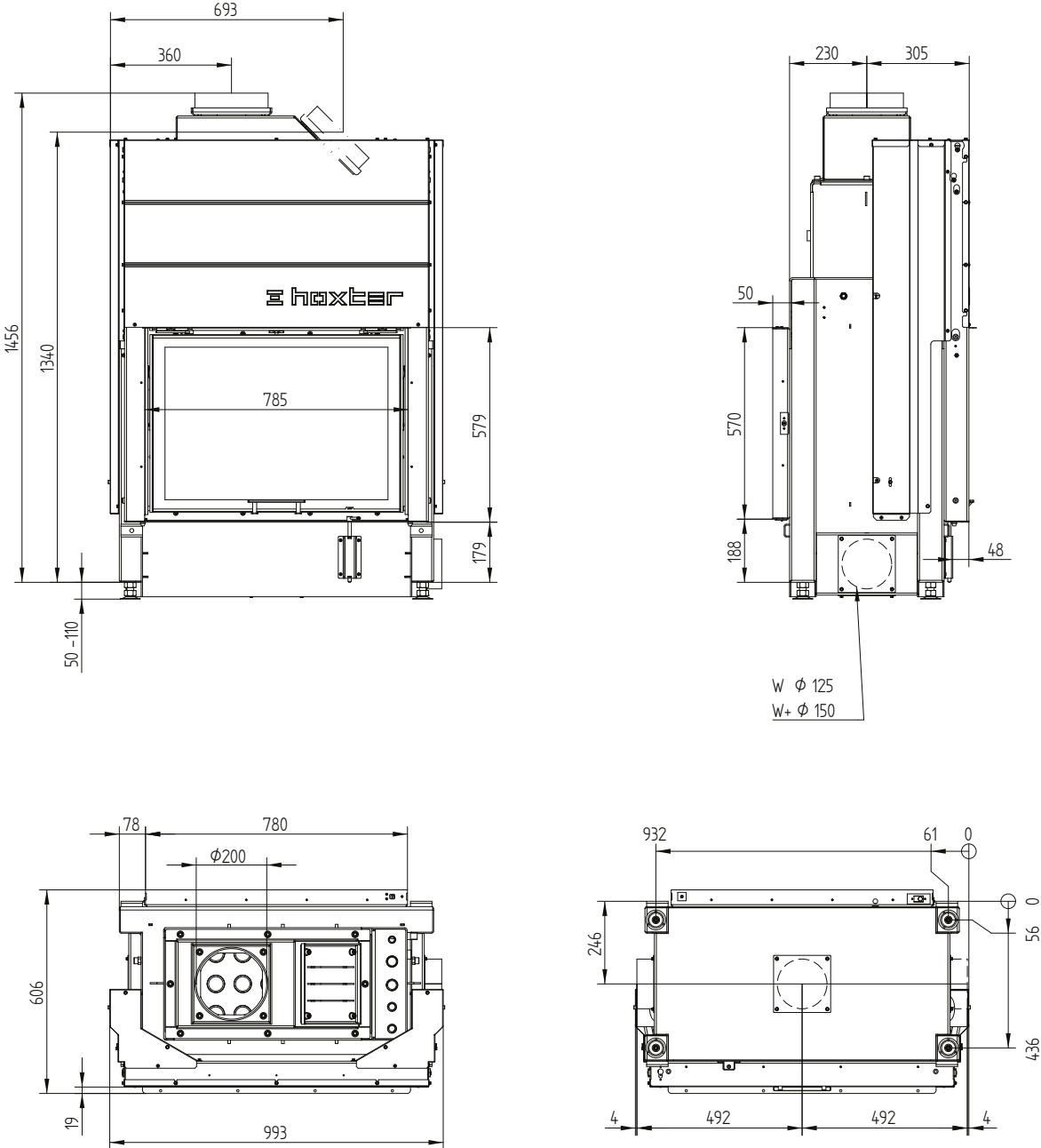
- 1 Mineral wool according to AGI-Q 132
- 2 Example SkamoEnclosure Board 225 kg/m<sup>3</sup>
- 3 Depends on accumulation period and material characteristics. Listed values calculated with average specific heat output = approx. 500 W/m<sup>2</sup>
- 4 With regard to the inspection capability and maximum ambient temperatures of the external switching devices (e.g. TAS/SV)



# HAKA 78/57WT

Technical data  
Version 09/2023

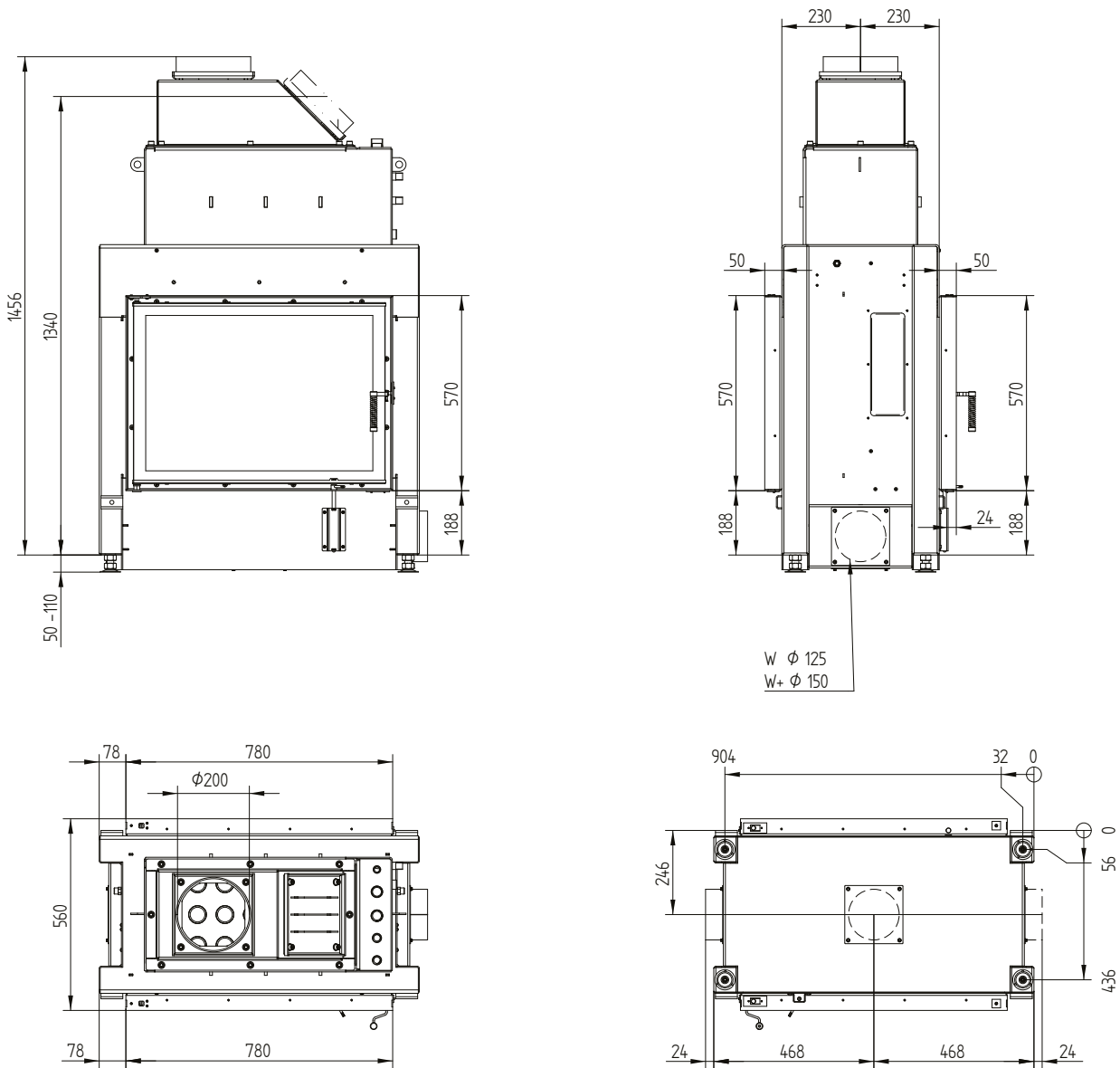
HAKA 78/57W tunnel, HAKA 78/57W tunnel extra power+ door version liftdoor / side opening (A) / air inlet / feet



# HAKA 78/57WT

Technical data  
Version 09/2023

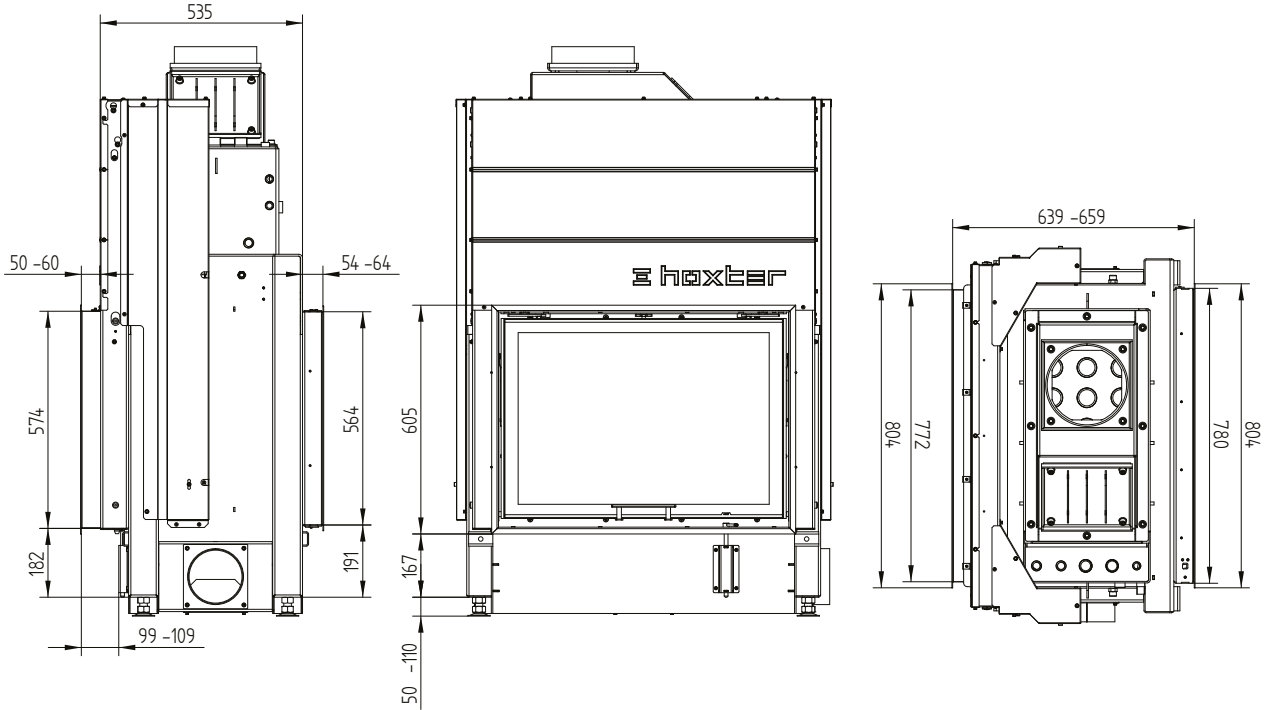
HAKA 78/57W tunnel, HAKA 78/57W tunnel extra power+ door version side opening /  
side opening (B) / air inlet / feet



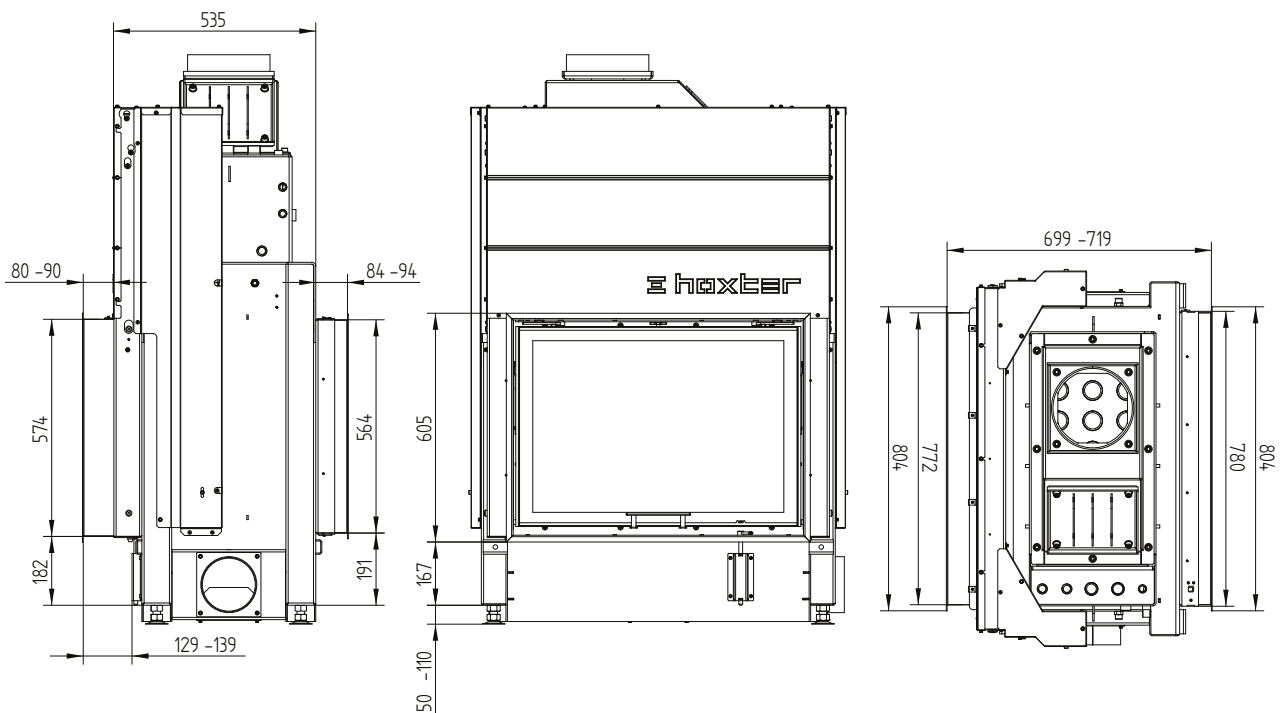
# HAKA 78/57WT

Technical data  
Version 09/2023

## Cover frame 78/57h liftdoor 4sides 50 mm 1 x 90°



## Cover frame 78/57h liftdoor 4sides 80 mm 1 x 90°

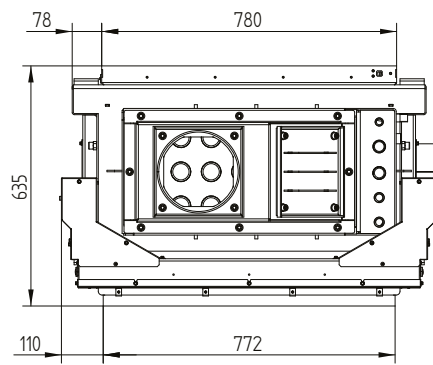
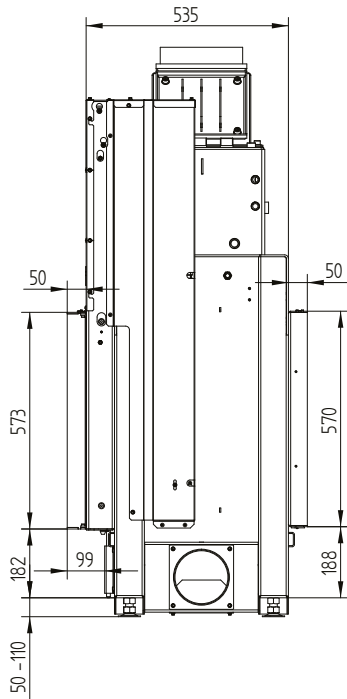


# HAKA 78/57WT

Technical data  
Version 09/2023

## Build-on frame 78/57h liftdoor 4sides 50 mm

---



# HAKA 78/57WT

Technical data  
Version 09/2023

## Build-on frame 78/57h liftdoor 4sides 80 mm

---

