

General technical information	
Recommended wood load	15 kg
Maximum cross-section of the supply air connection	220 cm ²
Combustion air connection	2 x Ø 125 mm
Free glass area	2 226 cm ²

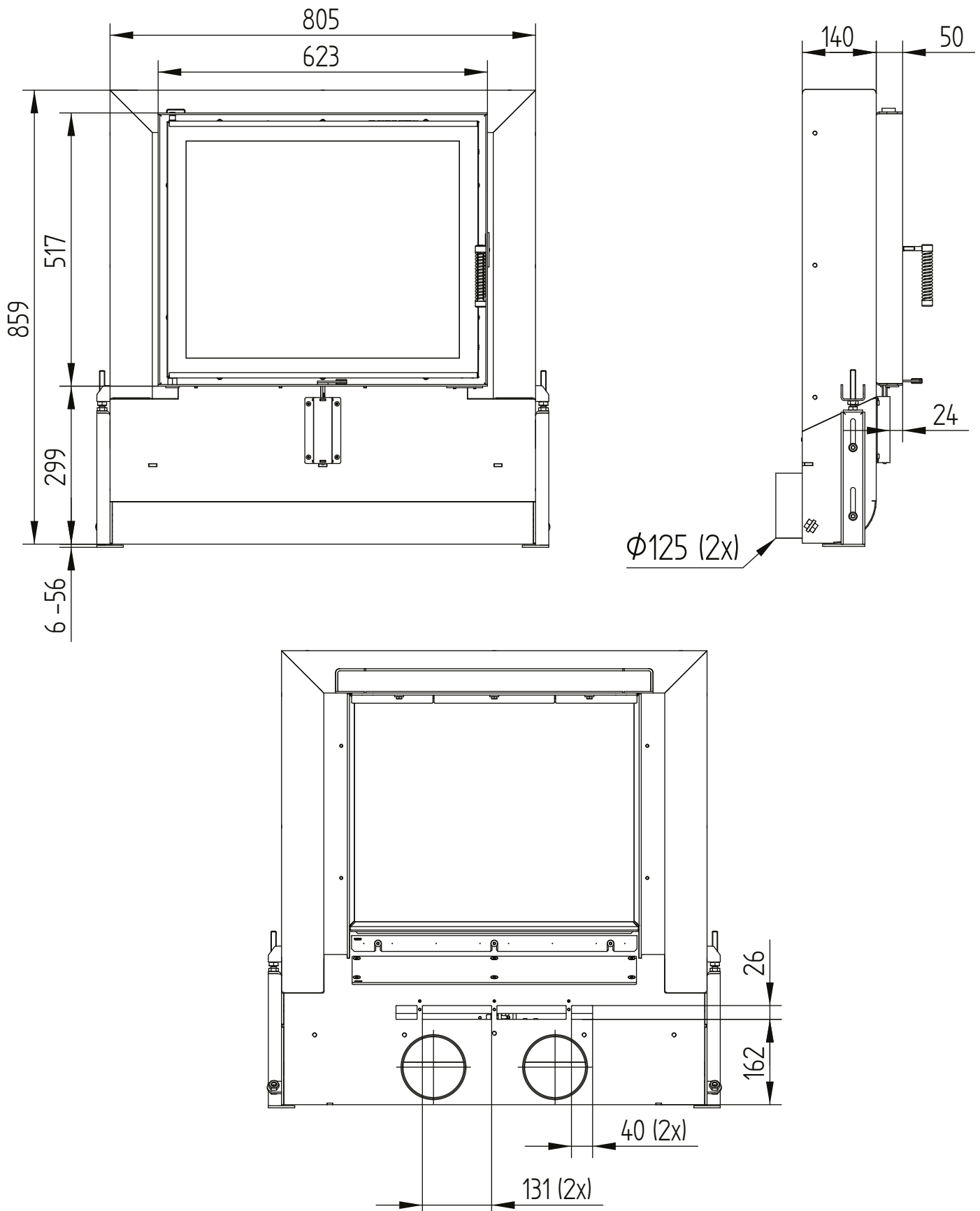
Load of wood	Air flow		Pressure drop
3 kg	28,2 m ³ /h	0,008 m ³ /h	0,1 Pa
4 kg	37,6 m ³ /h	0,010 m ³ /h	0,4 Pa
5 kg	47,0 m ³ /h	0,013 m ³ /s	0,9 Pa
6 kg	56,3 m ³ /h	0,016 m ³ /s	1,4 Pa
7 kg	65,7 m ³ /h	0,018 m ³ /s	2,0 Pa
8 kg	75,1 m ³ /h	0,021 m ³ /s	2,8 Pa
9 kg	84,5 m ³ /h	0,023 m ³ /s	3,6 Pa
10 kg	93,9 m ³ /h	0,026 m ³ /s	4,5 Pa
11 kg	103,3 m ³ /h	0,029 m ³ /s	5,6 Pa
12 kg	112,7 m ³ /h	0,031 m ³ /s	6,7 Pa
15 kg	140,9 m ³ /h	0,039 m ³ /s	10,7 Pa
20 kg	187,8 m ³ /h	0,052 m ³ /s	19,4 Pa

GT2 63/51

Technical data
Version 2019/08

air connection

M 1:10

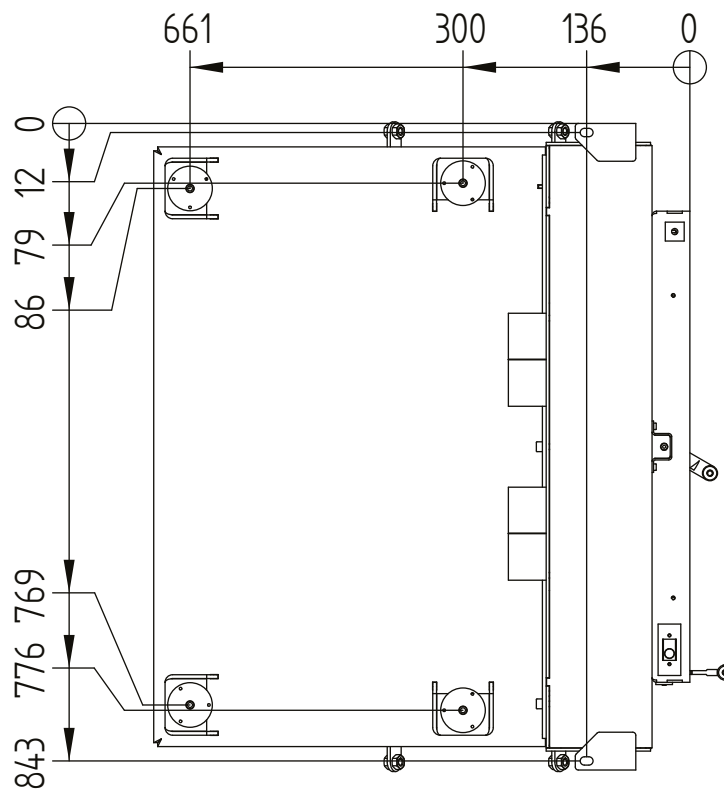
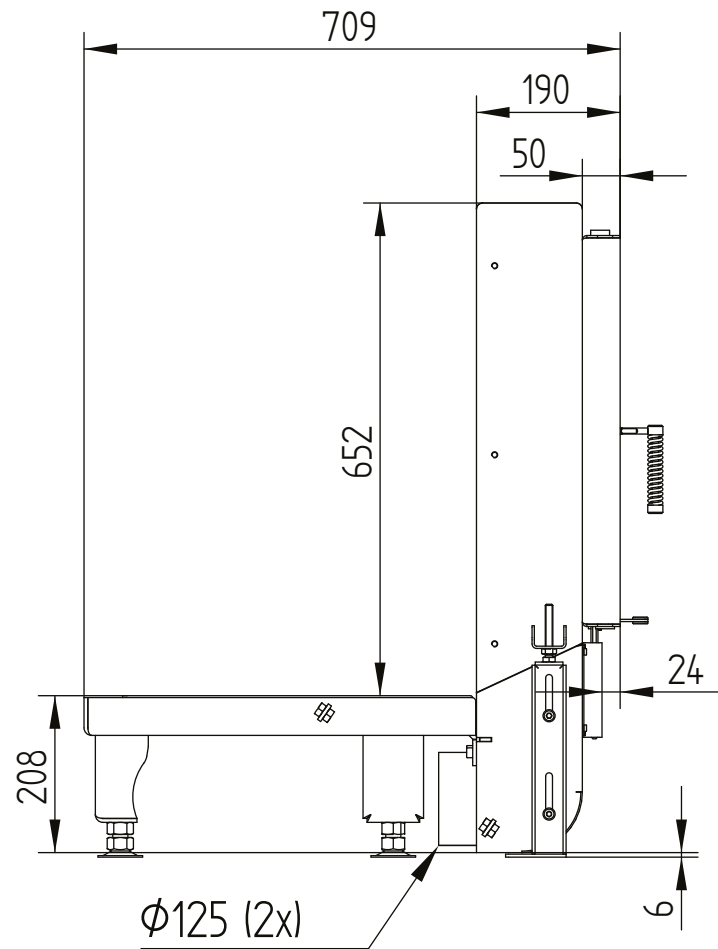
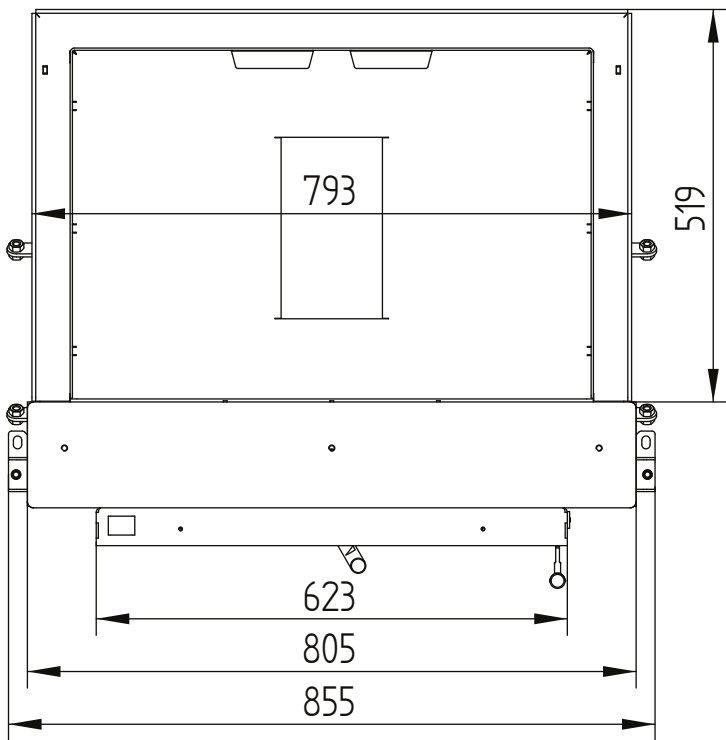


GT2 63/51

Technical data
Version 2019/08

with base / feet

M 1:10

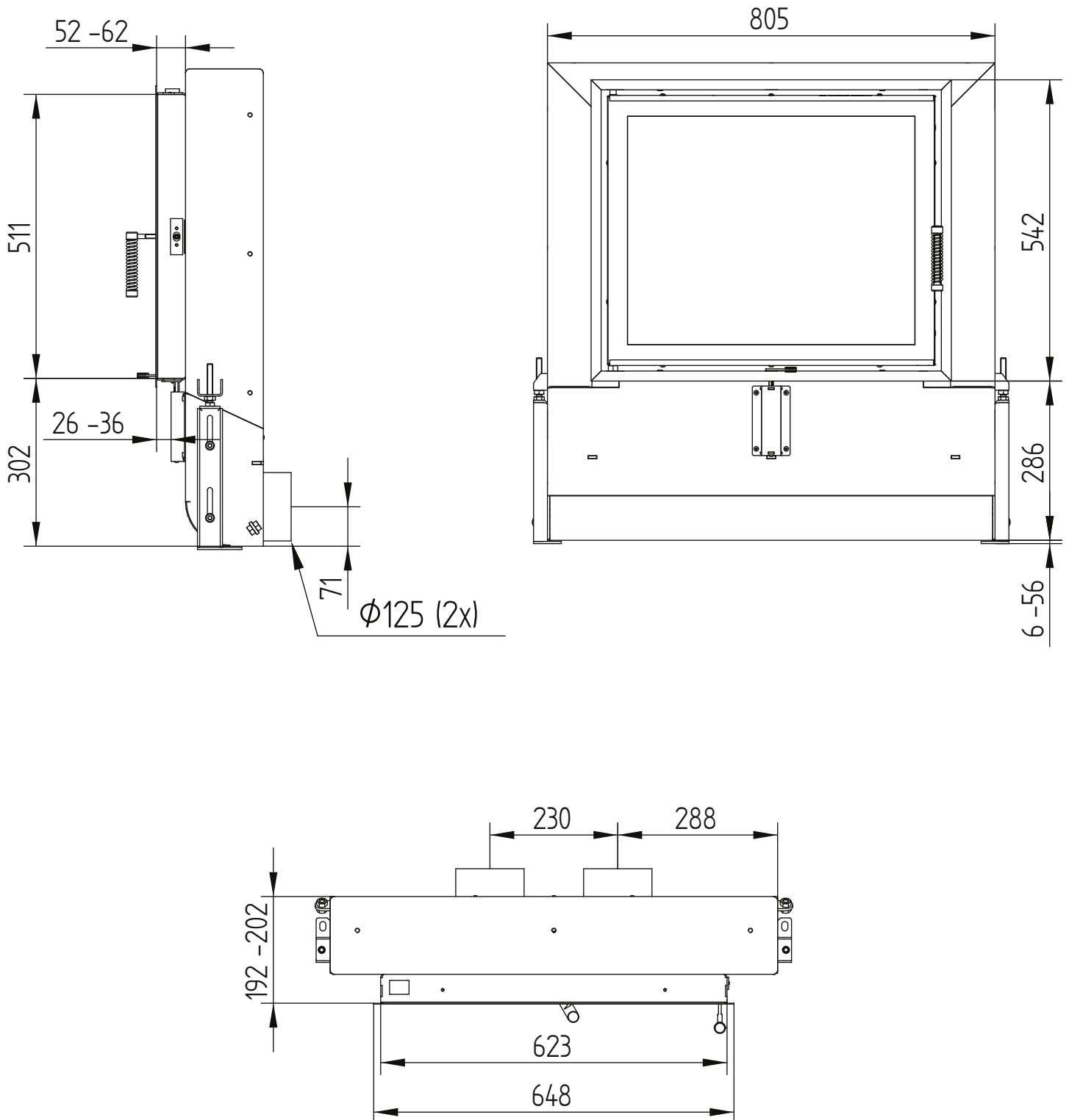


GT2 63/51

Technical data
Version 2019/08

cover frame 63/51 4sides 50 mm 1 x 90°

M 1:10



GT2 63/51

Technical data
Version 2019/08

cover frame 63/51 4sides 80 mm 2 x 45°

M 1:10

